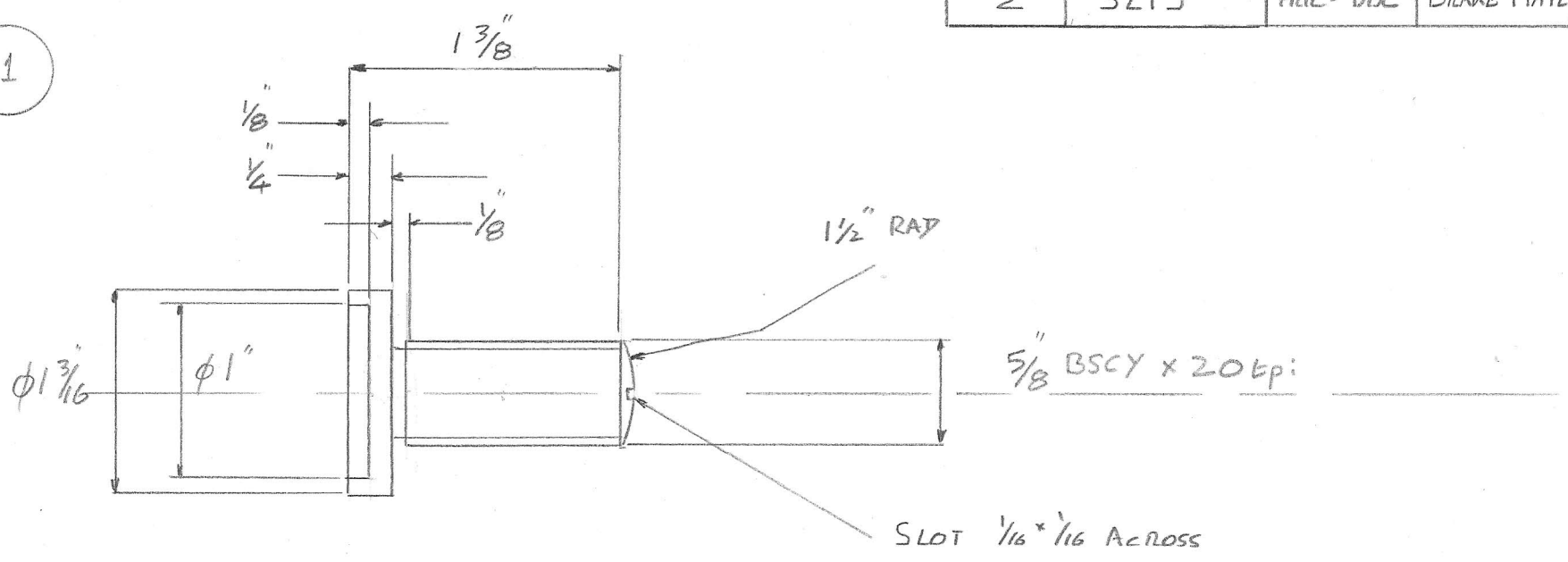
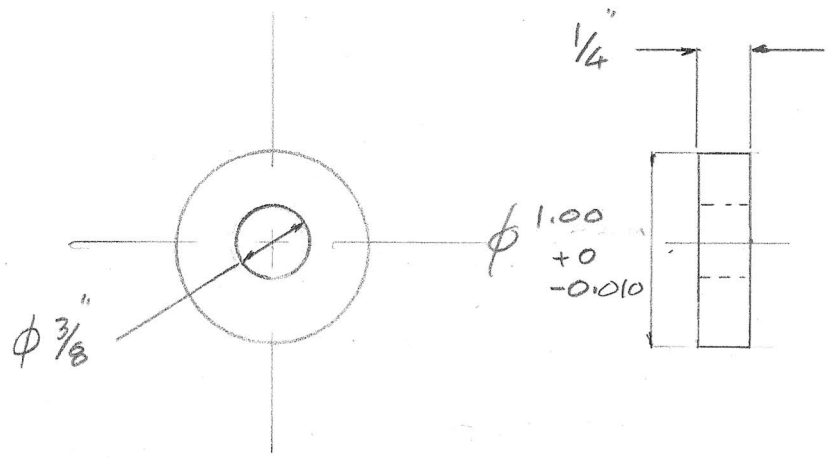


ITEM	PART N ^o	PART	MATE
1	5216	SCREW	BDMS
2	5215	FRIC ⁿ DISC	BRAKE MATL

1



2



CLUTCH STOP
1929 - ALL MODELS