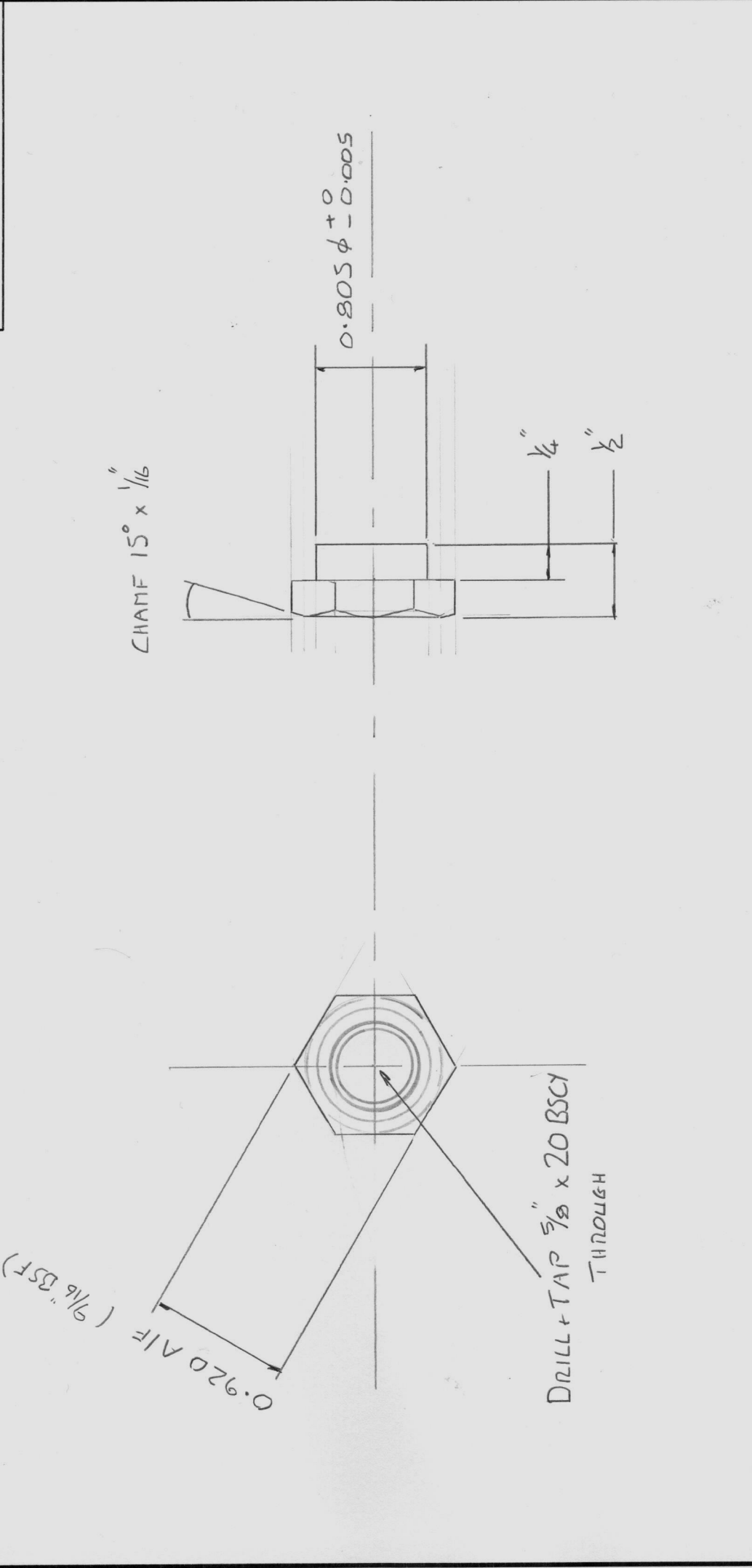


MATERIAL: EN8

GENERAL TOLERANCE +/- 0.010"

SCALE: FULL SIZE

FIRST ANGLE PROJECTION



PART	CRANKSHAFT NUT
USED ON	ALL: 1927-31*
PART N°	SBM142

\* Also 1927 S/S CLUTCH

DRAWN: PMH

DATE: 14/05/20